

### HYBRID



#### Pizza Capacity

8" pizza Capacity: 4-5

16" pizza Capacity: 1-2

#### Shipping Dimensions:

51" x 51" x 80"

#### Unit shipping:

Weight: 2,800 lbs.

Job name:

Item#:

Fuel type: Gas-Fired

#### Features

- Standard door opening: 18 Inches wide x 8 inches high with stylish and functional stainless steel high efficiency doors.
- 32 square inch cooking surface which allows for the preparation of an array of foods - perfect for entertaining
- Hand made fire brick cooking floor and dome for high performance
- Low brick dome for better performance
- Contemporary in style while honoring the cooking characteristics that produce the distinctive flavor and crust of traditional Italian pizza
- All brick interior is heated by an adjustable flame burner in the rear of the oven floor
- Black granite hearth is standard
- Standard analog thermometer in the oven front monitors the temperature
- Turbo ventilating system circulates the smoke in the oven interior for maximum heat efficiency and performance
- Oven body and gas control panel are integrated within the oven's steel stand
- Only 1-inch side and back clearance to combustible building materials required
- CSA Listed for Commercial installation
- Built in the USA
- Steel Stand with two shelves for wood storage
- Oven features 4" insulation blanketing the entire oven.
- 8" Stainless steel venting

**Note:** For more information on home oven configuration options, please visit: [www.fornoclassico.com](http://www.fornoclassico.com)

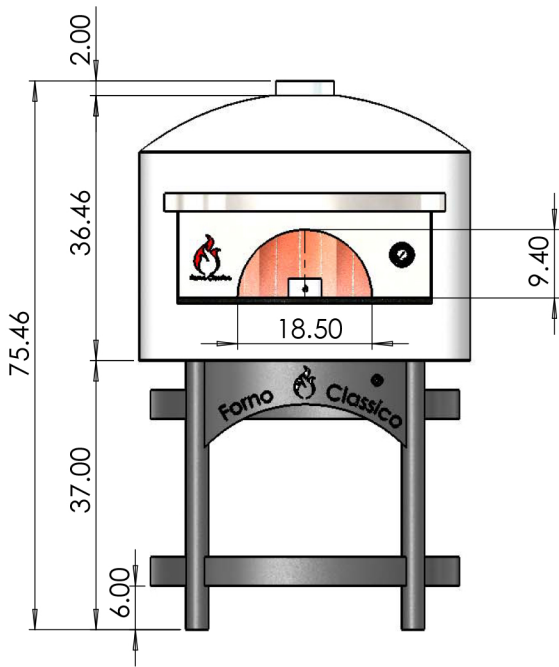
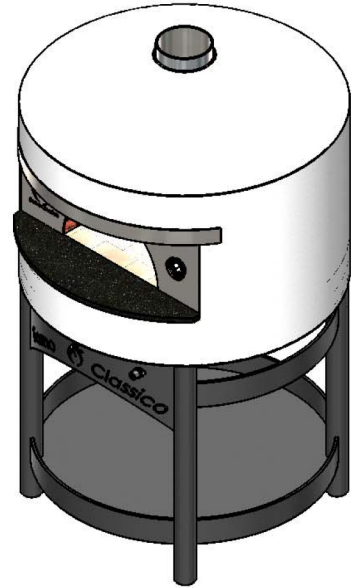
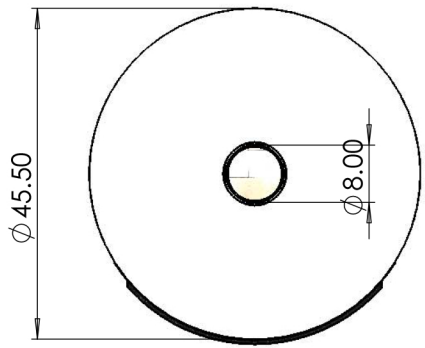
Forno Classico Company, 53 Aero Camino Goleta CA USA

T. +1 (805) 895-2626

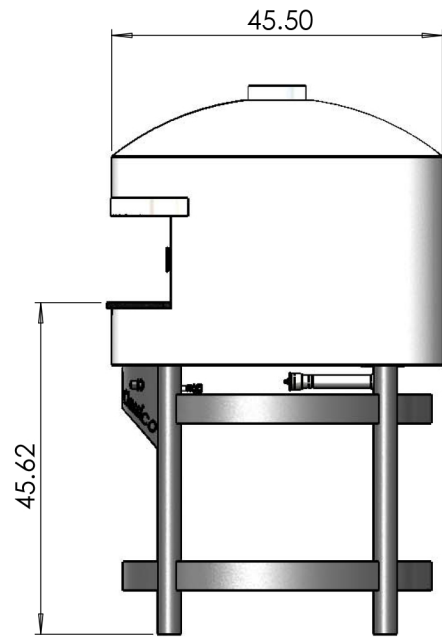
[info@fornoclassico.com](mailto:info@fornoclassico.com)

[www.fornoclassico.com](http://www.fornoclassico.com)





Gas Features



Venting

Gas connections ½" NPT per burner, quick disconnect flex gas hose must be used. • Pressure required 10" - 14" W.C. (Water Column) at the gas valve. • 64,000 BTU's per burner.

The oven is vented through an 8" round duct collar. The Neapolitan wood, gas, and combination gas-wood ovens can be installed with a listed exhaust hood system or with a chimney/grease duct vented outside without an exhaust hood, but must be installed with a power exhausted vent. • Cubic Feet per Minute: 150CFM • Static Pressure: 0.01"W

Forno Classico Company, 148 Aero Camino Goleta CA USA

T. +1 (805) 895-2626

info@fornoclassico.com

www.fornoclassico.com

